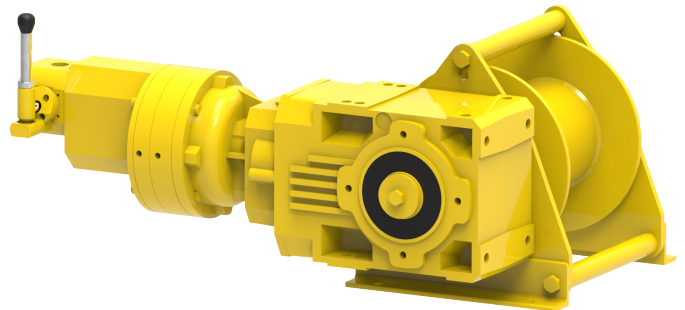


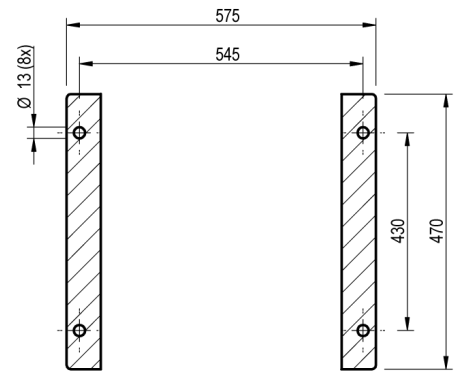
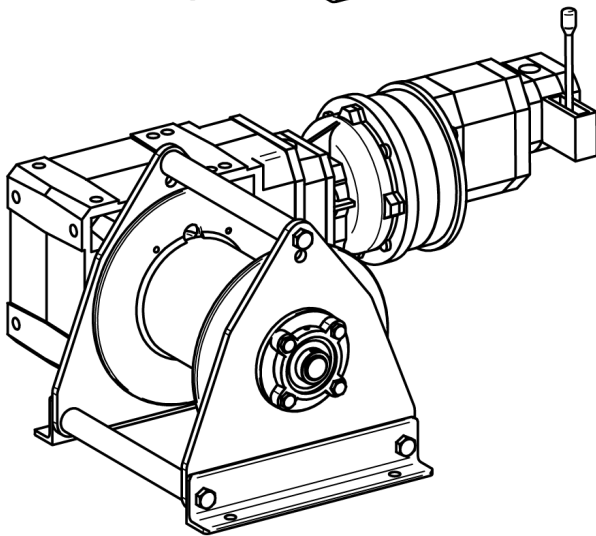
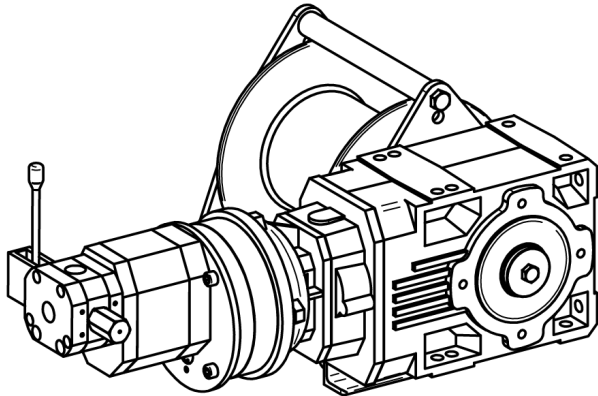
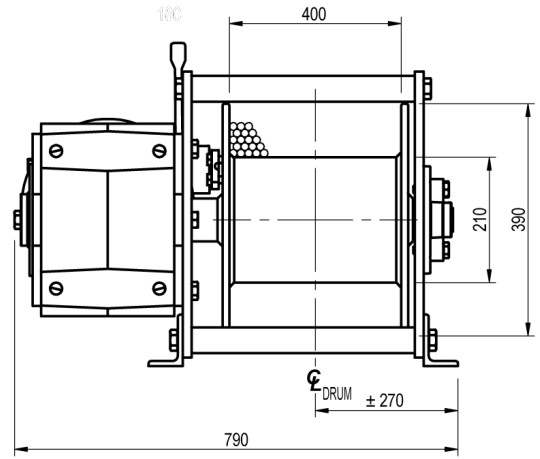
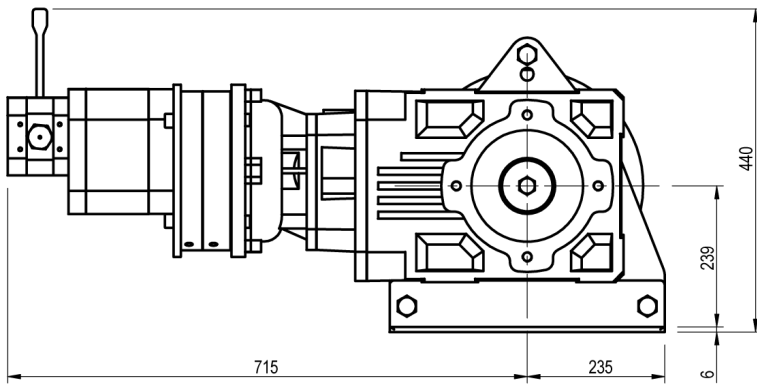
Winch type A 60 GP4

Products

A range of standard pneumatic winches with high efficiency gearbox, developed for heavy duty pulling and lifting duties up to 2,700 kg. This broad range comprises a variation of very compact winches with vane or gear motors. Drum lengths can easily be adapted to the customers request.

Manufacturer code	A 60 GP4
Medium	Pneumatic
Environment	Oil and Gas
Application	Traversing
Series	A
Working Load Limit (WLL) [kg]	2700 kg
Number of layers	5
Lifting WLL first layer	2700 kg
Lifting WLL top layer	1800 kg
Speed at first layer	9 m/min
Speed top layer	11 m/min
Drum capacity first layer	17 m
Drum capacity top layer	117 m
Rope diameter	14 mm
Mass	255 kg
Flow	100 L/sec
Pressure drop	7 bar





FOOTPRINT TOP VIEW