

Capstan type C 130 E

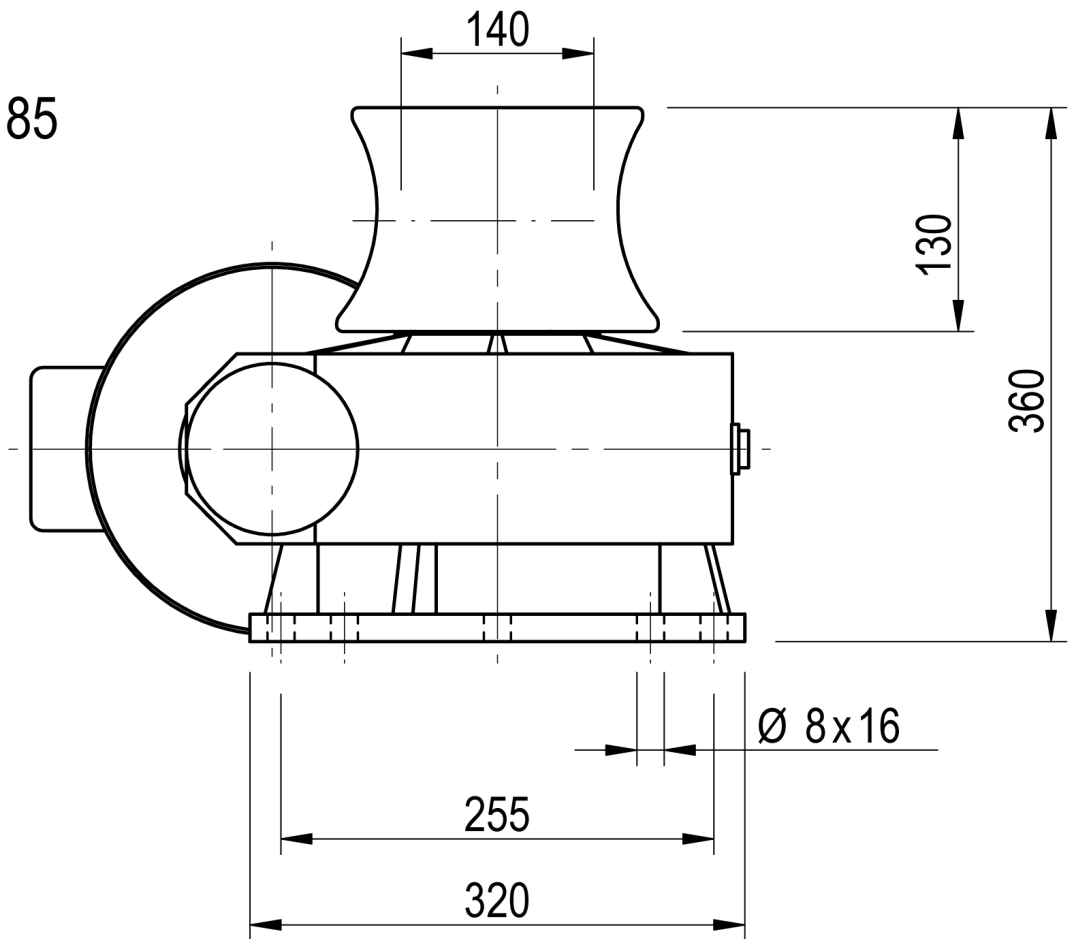
Products

Self-braking worm gear drives with electric, hydraulic or even pneumatic motor, available in on-deck or below-deck build types. The on-deck drive is equipped with a waterproof motor for intermittent use. Featuring a cast iron capstan head mounted on a heavy duty planetary gearbox. The entire drive is mounted in a watertight tube frame providing optimal protection from the elements.

Manufacturer code	C 130 E
Medium	Electric
Environment	Renewables
Application	Pulling
Series	C
Working Load Limit (WLL) [kg]	1100 kg
Lifting WLL first layer	1100 kg
Speed at first layer	9 m/min
Rope diameter	22 mm
Motor power S2 duty	3 kW
Motor voltage	400V-AC-3-phase
Mass	90 kg
Neck diameter	140 mm



C086 - C185
on deck



C086 - C185
below deck

