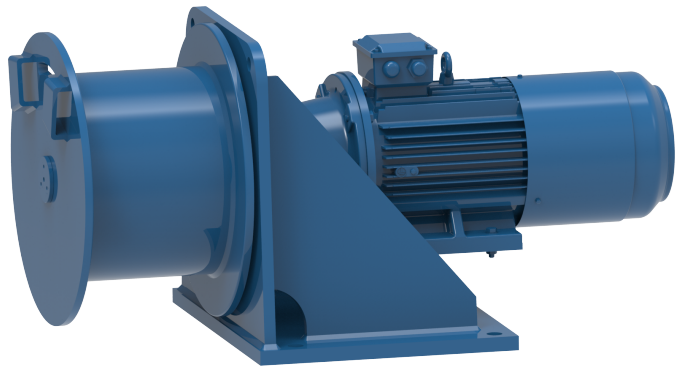


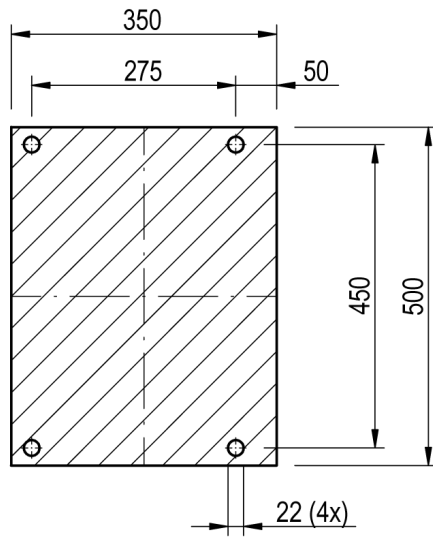
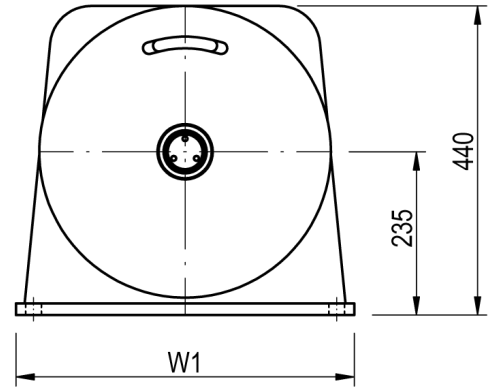
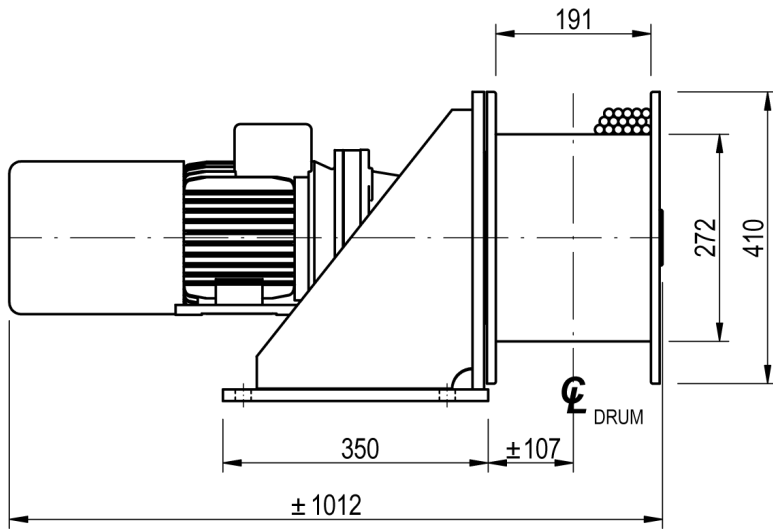
Winch type FD 304 E

Products

Specially designed for applications where space is at a premium, these compact and lightweight lifting winches are ideally suited for installation on cranes, davits and derricks. The single drum support enables the rope to leave the drum at any angle. The heavy duty planetary drive is partly located within and protected by the drum core. The large drum diameters ensure a healthy drum to cable diameter ratio and a sufficient working length despite the short drums.

| | |
|-------------------------------|-----------------|
| Manufacturer code | FD 304 E |
| Medium | Electric |
| Environment | Renewables |
| Application | Pulling |
| Series | FD |
| Working Load Limit (WLL) [kg] | 2800 kg |
| Number of layers | 3 |
| Lifting WLL first layer | 2800 kg |
| Lifting WLL top layer | 2340 kg |
| Speed at first layer | 10 m/min |
| Speed top layer | 12 m/min |
| Drum capacity first layer | 9 m |
| Drum capacity top layer | 36 m |
| Rope diameter | 14 mm |
| Motor power S2 duty | 5.5 kW |
| Motor voltage | 400V-AC-3-phase |
| Mass | 230 kg |





FOOTPRINT TOPVIEW