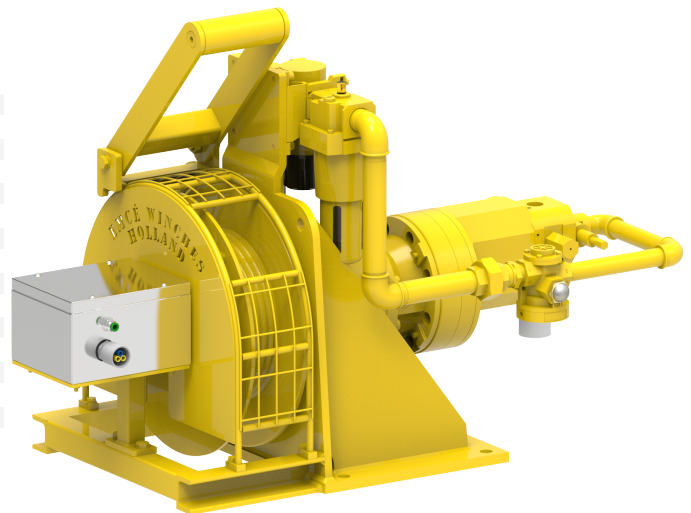


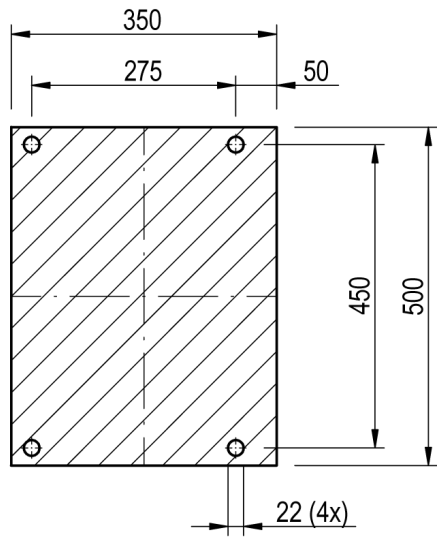
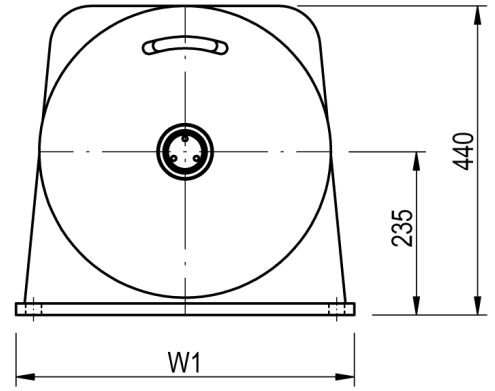
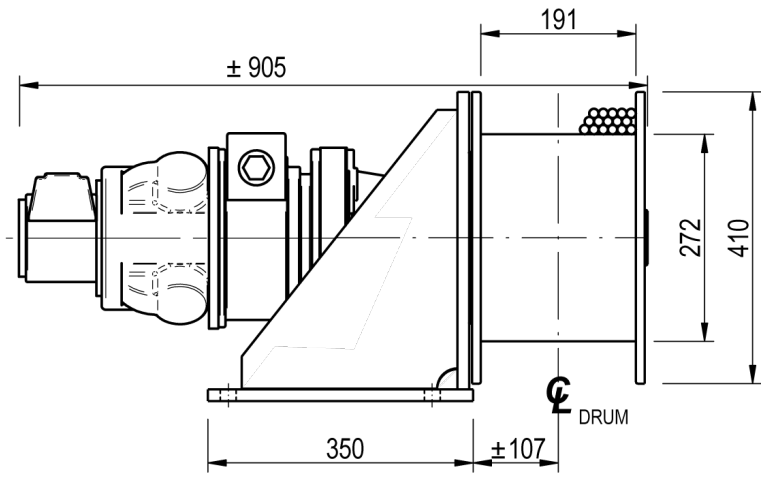
Winch type FD 304 LV

Products

Specially designed for applications where space is at a premium, these compact and lightweight lifting winches are ideally suited for installation on cranes, davits and derricks. The single drum support enables the rope to leave the drum at any angle. The heavy duty planetary drive is partly located within and protected by the drum core. The large drum diameters ensure a healthy drum to cable diameter ratio and a sufficient working length despite the short drums.

Manufacturer code	FD 304 LV
Medium	Pneumatic
Environment	Oil and Gas
Application	Pulling
Series	FD
Working Load Limit (WLL) [kg]	2800 kg
Number of layers	3
Lifting WLL first layer	2800 kg
Lifting WLL top layer	2340 kg
Speed at first layer	12 m/min
Speed top layer	14 m/min
Drum capacity first layer	9 m
Drum capacity top layer	36 m
Rope diameter	14 mm
Mass	230 kg
Flow	150 L/sec
Pressure drop	65 bar





FOOTPRINT TOPVIEW