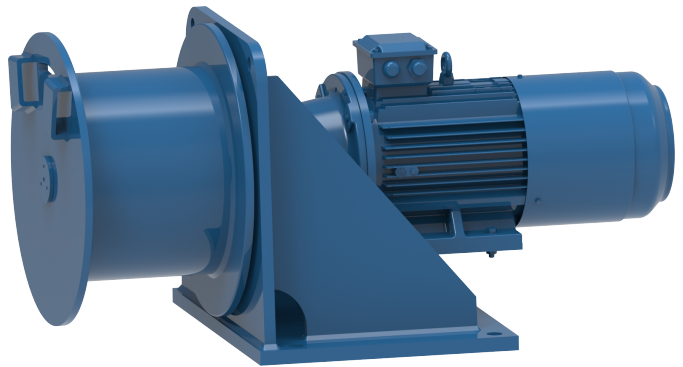


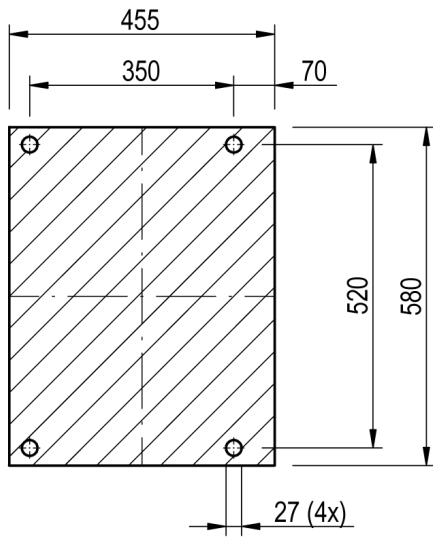
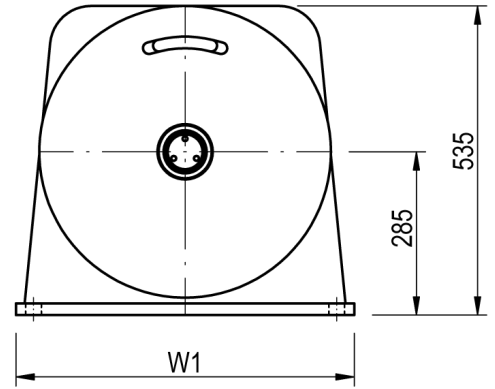
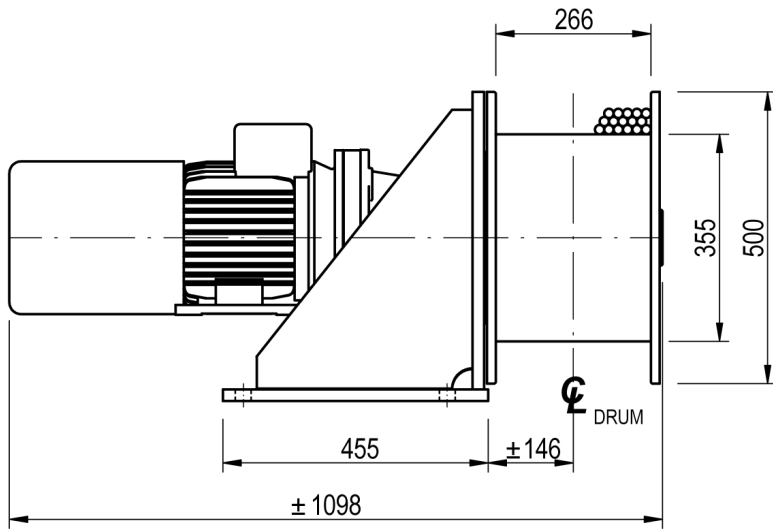
Winch type FD 306 E

Products

Specially designed for applications where space is at a premium, these compact and lightweight lifting winches are ideally suited for installation on cranes, davits and derricks. The single drum support enables the rope to leave the drum at any angle. The heavy duty planetary drive is partly located within and protected by the drum core. The large drum diameters ensure a healthy drum to cable diameter ratio and a sufficient working length despite the short drums.

Manufacturer code	FD 306 E
Medium	Electric
Environment	Renewables
Application	Pulling
Series	FD
Working Load Limit (WLL) [kg]	4100 kg
Number of layers	3
Lifting WLL first layer	4100 kg
Lifting WLL top layer	3500 kg
Speed at first layer	7 m/min
Speed top layer	8.5 m/min
Drum capacity first layer	15 m
Drum capacity top layer	56 m
Rope diameter	16 mm
Motor power S2 duty	5.5 kW
Motor voltage	400V-AC-3-phase
Mass	365 kg





FOOTPRINT TOPVIEW