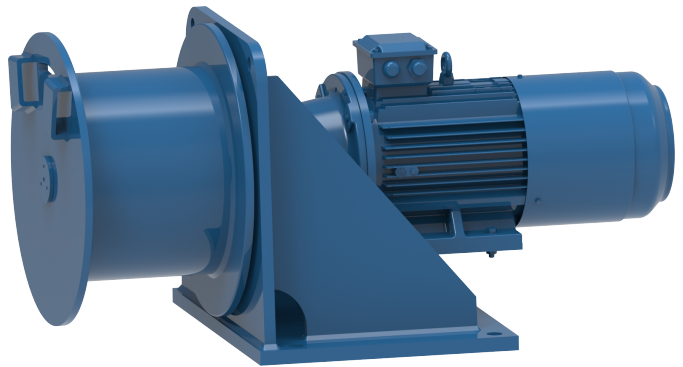


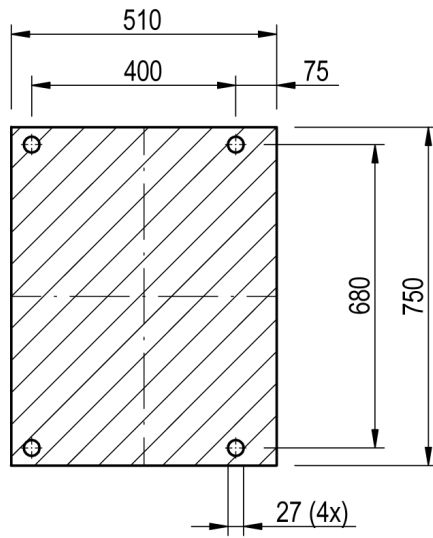
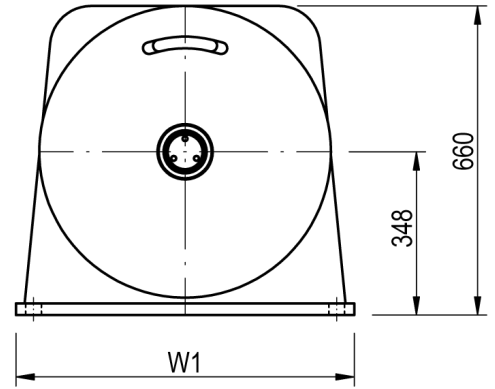
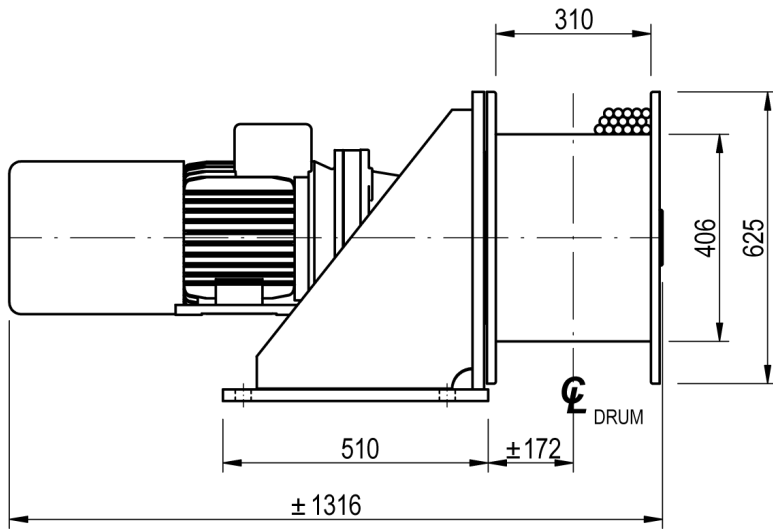
Winch type FD 307 E

Products

Specially designed for applications where space is at a premium, these compact and lightweight lifting winches are ideally suited for installation on cranes, davits and derricks. The single drum support enables the rope to leave the drum at any angle. The heavy duty planetary drive is partly located within and protected by the drum core. The large drum diameters ensure a healthy drum to cable diameter ratio and a sufficient working length despite the short drums.

Manufacturer code	FD 307 E
Medium	Electric
Environment	Renewables
Application	Pulling
Series	FD
Working Load Limit (WLL) [kg]	5250 kg
Number of layers	3
Lifting WLL first layer	5250 kg
Lifting WLL top layer	4490 kg
Speed at first layer	12 m/min
Speed top layer	14 m/min
Drum capacity first layer	18 m
Drum capacity top layer	67 m
Rope diameter	18 mm
Motor power S2 duty	11 kW
Motor voltage	400V-AC-3-phase
Mass	535 kg





FOOTPRINT TOPVIEW