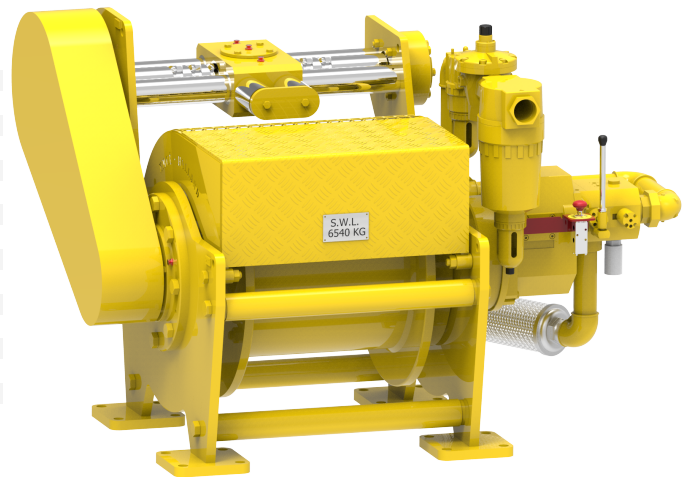


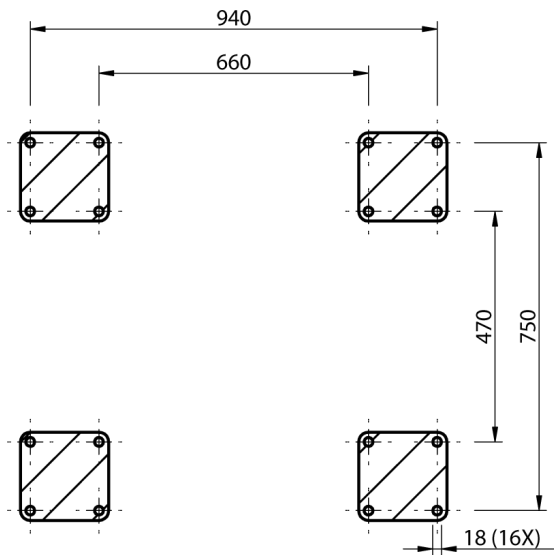
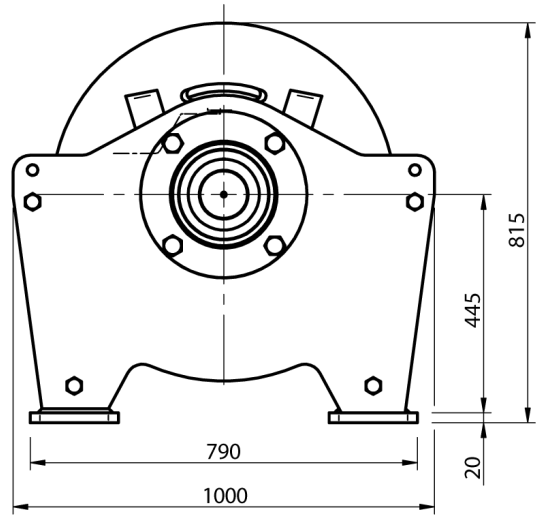
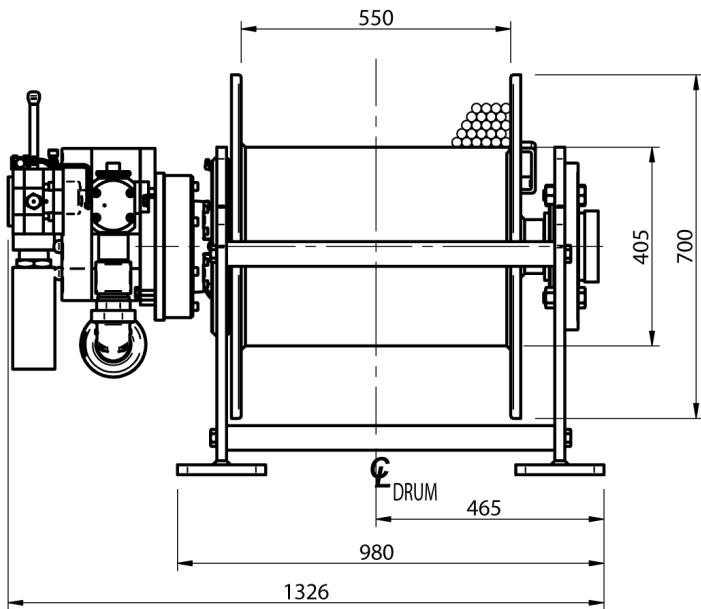
## Winch type OMR 3.0 GP10

### Products

A range of compact lifting and pulling air winches specially designed for offshore applications or for any other hazardous environment where space is limited. The heavy duty planetary gearbox is mounted within the drum core, which both saves space and protects from any external damage. Winches designed to meet independent third party requirements such as Lloyds, ABS, etc.

Manufacturer code	OMR 3.0 GP10
Medium	Pneumatic
Environment	Oil and Gas
Application	Pulling
Series	OMR
Working Load Limit (WLL) [kg]	4280 kg
Number of layers	5
Lifting WLL first layer	4280 kg
Lifting WLL top layer	3150 kg
Speed at first layer	14 m/min
Speed top layer	25 m/min
Drum capacity top layer	212 m
Rope diameter	19 mm
Mass	860 kg
Flow	300 L/sec
Pressure drop	6 bar





FOOTPRINT TOP VIEW - A-A