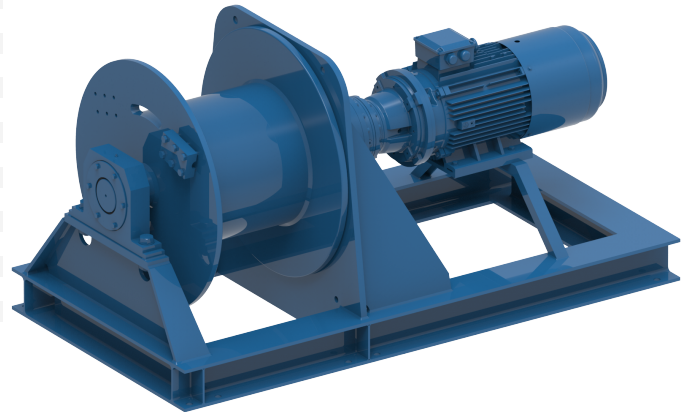


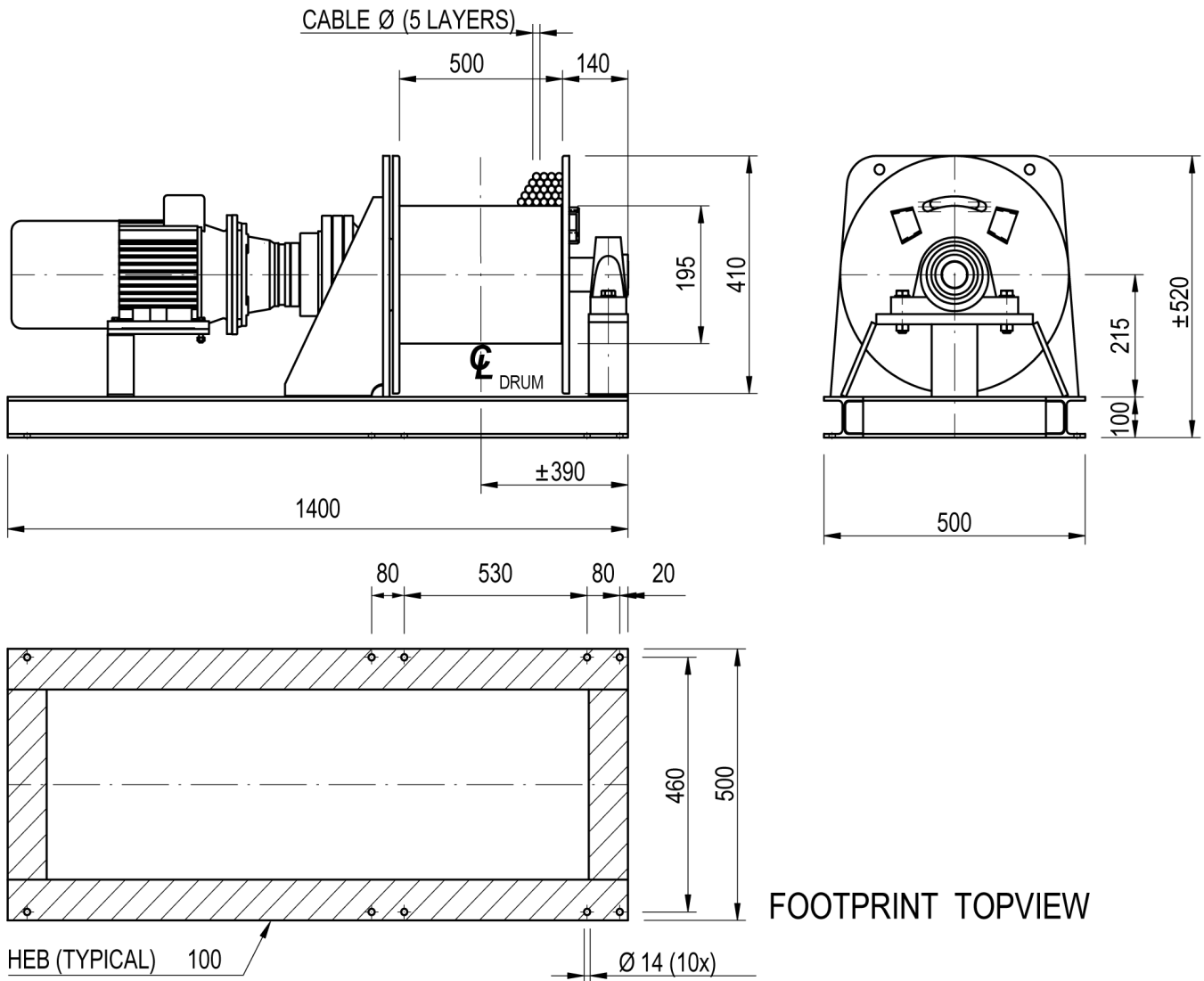
## Winch type SB 301 E

### Products

The standard build SB type winch provides the basis of the solution to many pulling and lifting winch applications. The winch is constructed in the conventional manner with motor, gearbox and drum in line. Capacities can go up to 70 tons of lifting capacity with this range. Although the name of this winch indicates differently, these winches are very suitable to suit your specific winch application. Many options can be offered on these highly versatile winches.

Manufacturer code	SB 301 E
Medium	Electric
Environment	Renewables
Application	Pulling
Series	SB
Working Load Limit (WLL) [kg]	2100 kg
Number of layers	5
Lifting WLL first layer	2100 kg
Lifting WLL top layer	1435 kg
Speed at first layer	7 m/min
Speed top layer	10 m/min
Drum capacity first layer	24 m
Drum capacity top layer	157 m
Rope diameter	12 mm
Motor power S2 duty	3 kW
Motor voltage	400V-AC-3-phase
Mass	270 kg





FOOTPRINT TOPVIEW