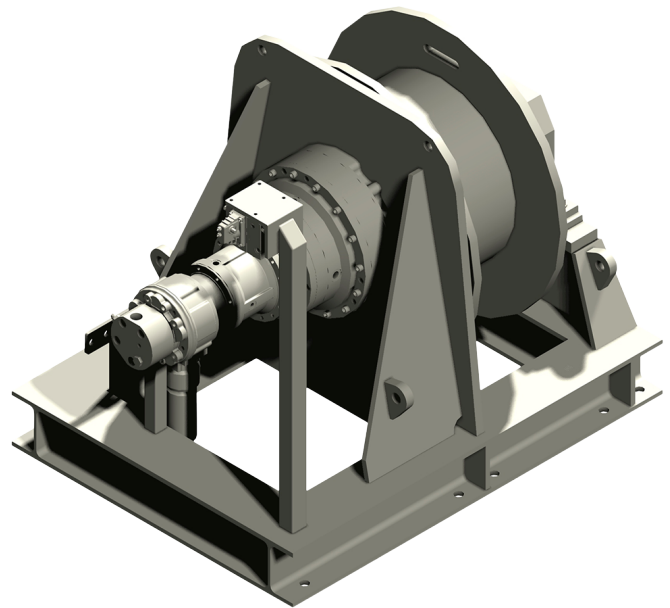


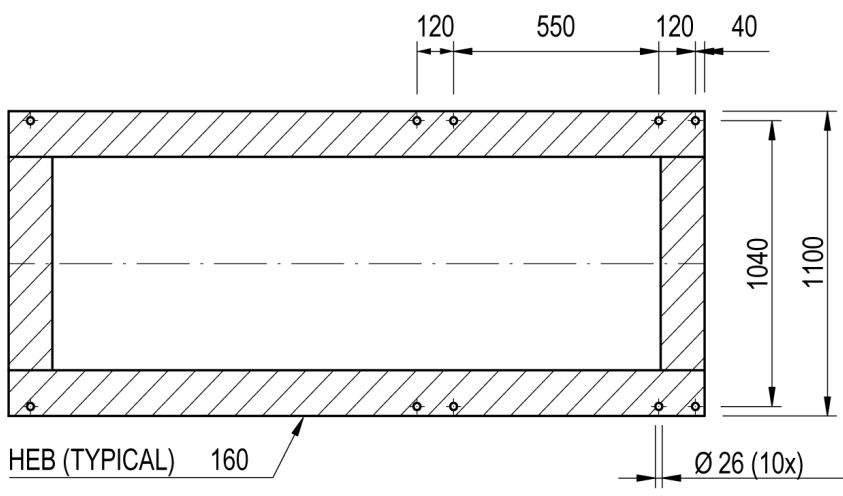
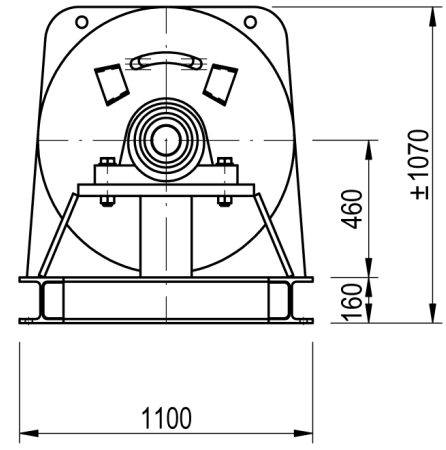
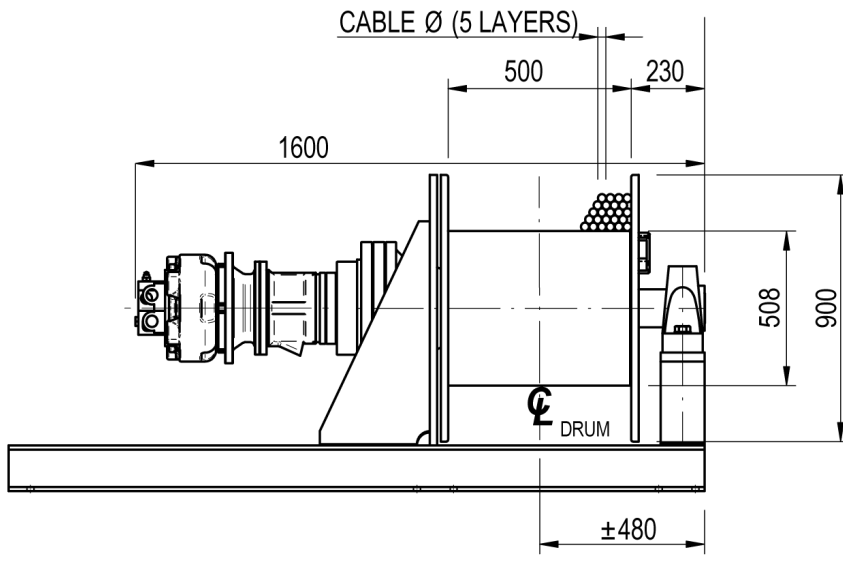
Winch type SB 310 H

Products

The standard build SB type winch provides the basis of the solution to many pulling and lifting winch applications. The winch is constructed in the conventional manner with motor, gearbox and drum in line. Capacities can go up to 70 tons of lifting capacity with this range. Although the name of this winch indicates differently, these winches are very suitable to suit your specific winch application. Many options can be offered on these highly versatile winches.

| | |
|-------------------------------|-------------|
| Manufacturer code | SB 310 H |
| Medium | Hydraulic |
| Environment | Oil and Gas |
| Application | Traversing |
| Series | SB |
| Working Load Limit (WLL) [kg] | 12000 kg |
| Number of layers | 5 |
| Lifting WLL first layer | 12000 kg |
| Lifting WLL top layer | 8460 kg |
| Speed at first layer | 11 m/min |
| Speed top layer | 16 m/min |
| Drum capacity first layer | 24 m |
| Drum capacity top layer | 168 m |
| Rope diameter | 28 mm |
| Mass | 1470 kg |
| Flow | 95 L/min |
| Pressure drop | 230 bar |





FOOTPRINT TOPVIEW