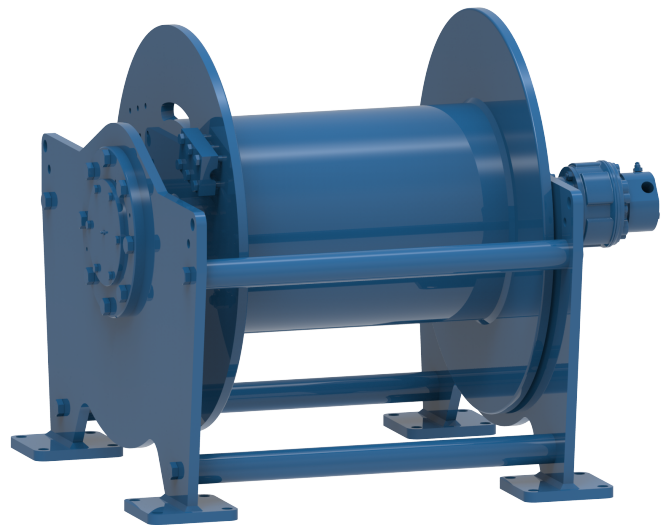


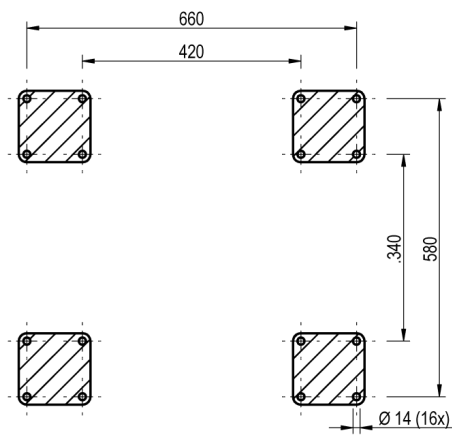
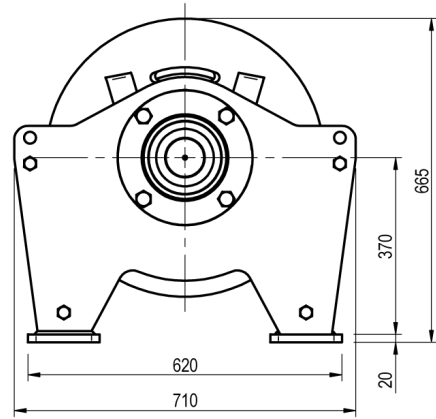
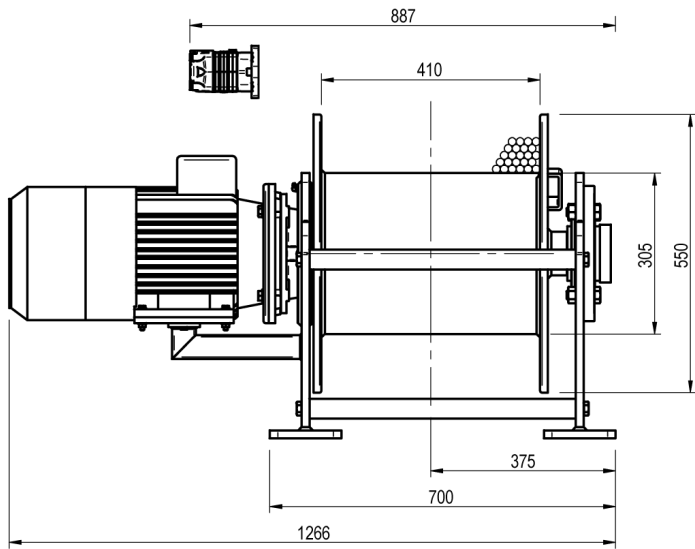
Winch type SC 25 H

Products

A range of compact lifting and pulling winches utilising electric or hydraulic motors. The heavy duty planetary gearbox is located within the drum core, which both saves space and protects the gearbox from any external mechanical threats. Capacities can go up to 30 tons of lifting capacity with this range. Depending on your power source and application, we can select and offer the correct model for you.

Manufacturer code	SC 25 H
Medium	Hydraulic
Environment	Oil and Gas
Application	Pulling
Series	SC
Working Load Limit (WLL) [kg]	3500 kg
Number of layers	5
Lifting WLL first layer	3500 kg
Lifting WLL top layer	2500 kg
Speed at first layer	12 m/min
Speed top layer	16 m/min
Drum capacity top layer	144 m
Rope diameter	16 mm
Mass	470 kg
Flow	60 L/min
Pressure drop	135 bar





FOOTPRINT TOPVIEW A - A

