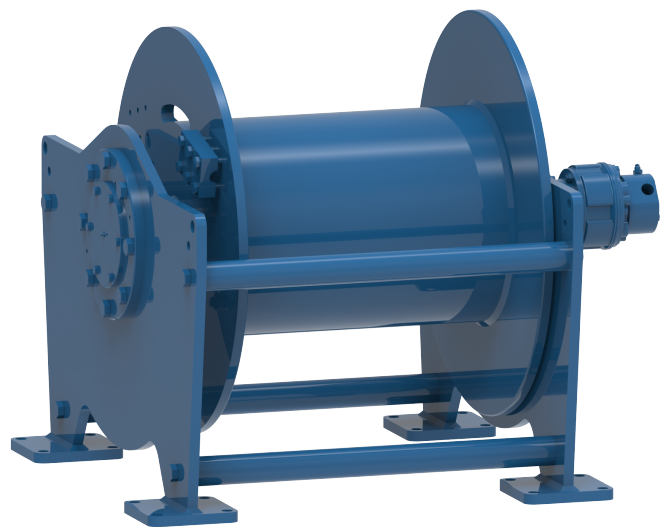


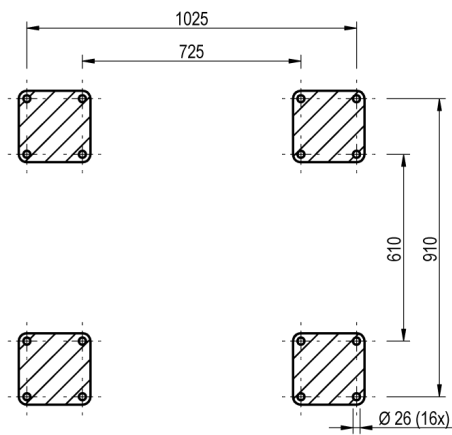
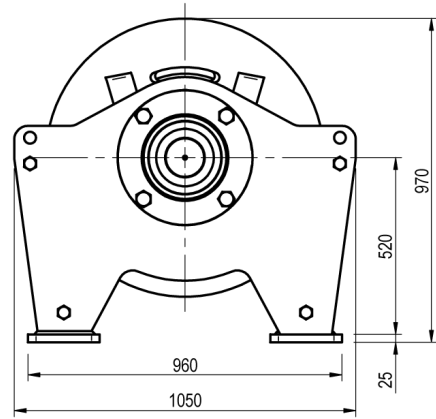
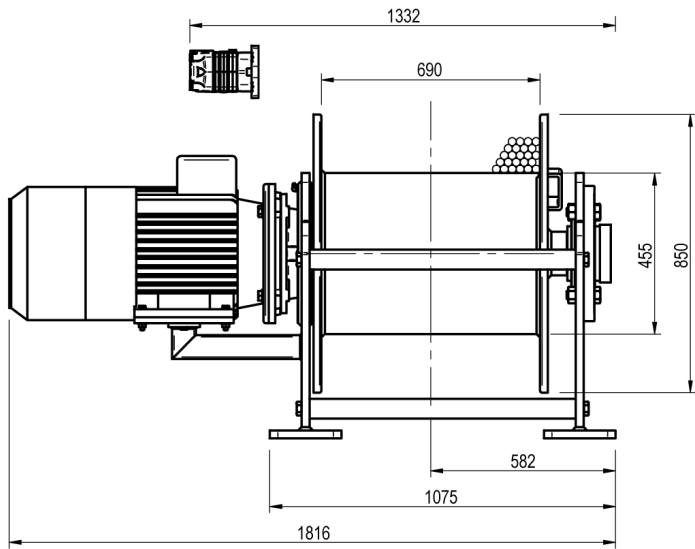
## Winch type SC 85 H

### Products

A range of compact lifting and pulling winches utilising electric or hydraulic motors. The heavy duty planetary gearbox is located within the drum core, which both saves space and protects the gearbox from any external mechanical threats. Capacities can go up to 30 tons of lifting capacity with this range. Depending on your power source and application, we can select and offer the correct model for you.

Manufacturer code	SC 85 H
Medium	Hydraulic
Environment	Oil and Gas
Application	Pulling
Series	SC
Working Load Limit (WLL) [kg]	12160 kg
Number of layers	5
Lifting WLL first layer	12160 kg
Lifting WLL top layer	8500 kg
Speed at first layer	12 m/min
Speed top layer	17 m/min
Drum capacity top layer	228 m
Rope diameter	26 mm
Mass	1350 kg
Flow	100 L/min
Pressure drop	235 bar





FOOTPRINT TOPVIEW A - A

