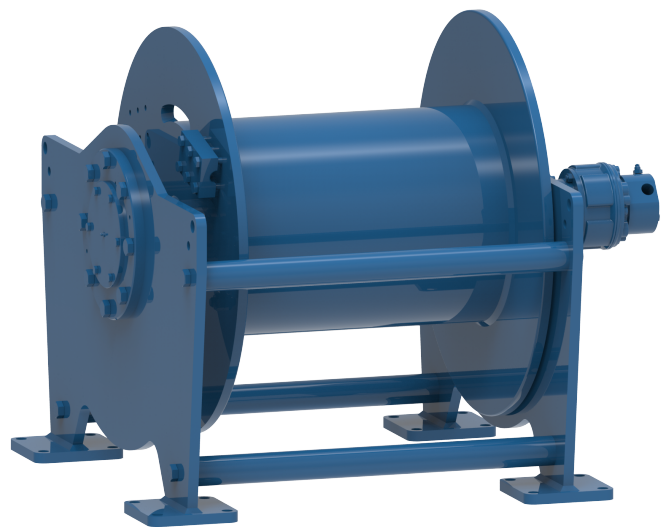


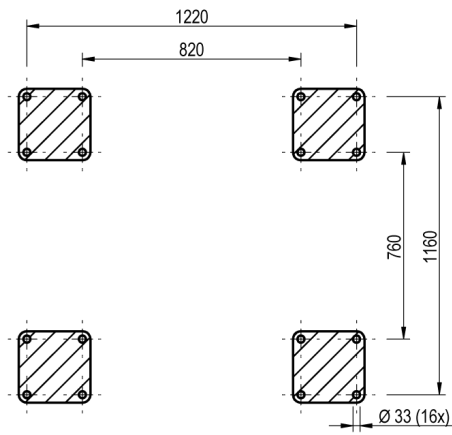
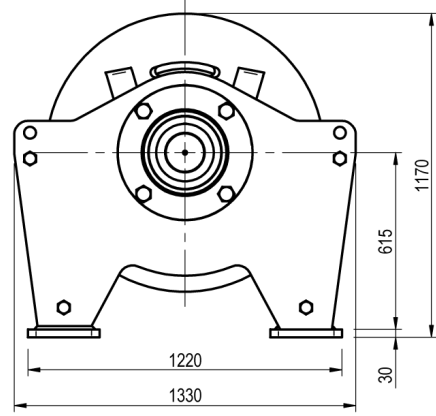
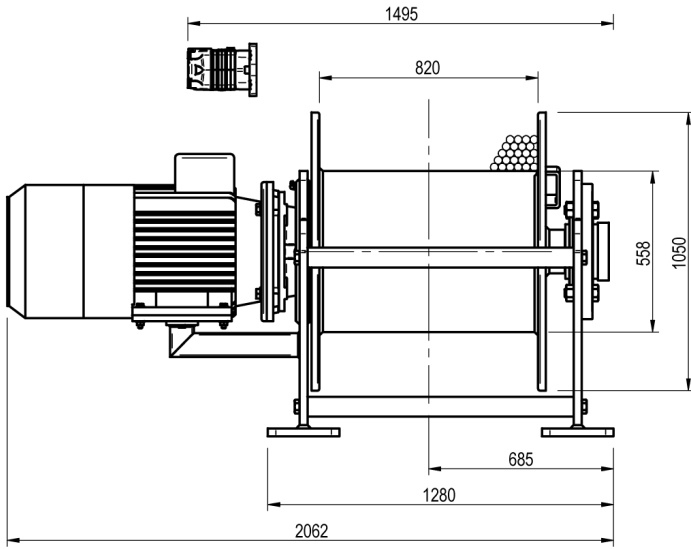
Winch type SC 140 H

Products

A range of compact lifting and pulling winches utilising electric or hydraulic motors. The heavy duty planetary gearbox is located within the drum core, which both saves space and protects the gearbox from any external mechanical threats. Capacities can go up to 30 tons of lifting capacity with this range. Depending on your power source and application, we can select and offer the correct model for you.

Manufacturer code	SC 140 H
Medium	Hydraulic
Environment	Marine
Application	Lifting
Series	SC
Working Load Limit (WLL) [kg]	18555 kg
Number of layers	4
Lifting WLL first layer	18555 kg
Lifting WLL top layer	14000 kg
Speed at first layer	9 m/min
Speed top layer	12 m/min
Drum capacity top layer	204 m
Rope diameter	32 mm
Mass	2245 kg
Flow	115 L/min
Pressure drop	250 bar





FOOTPRINT TOPVIEW A - A

