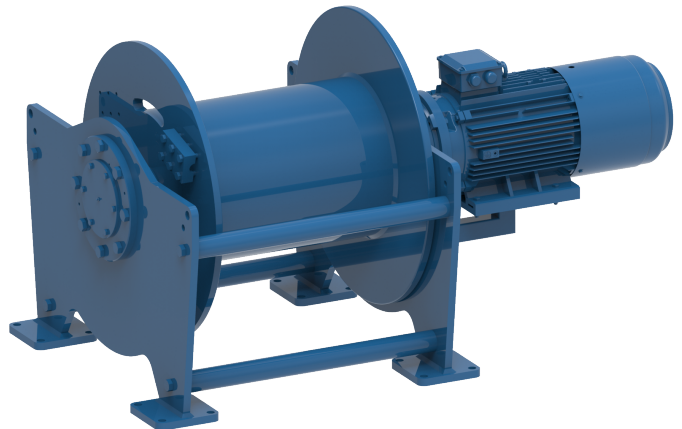


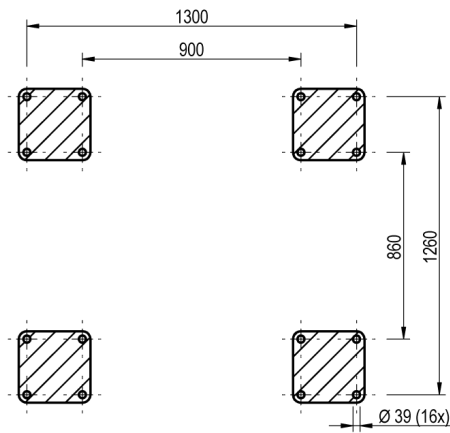
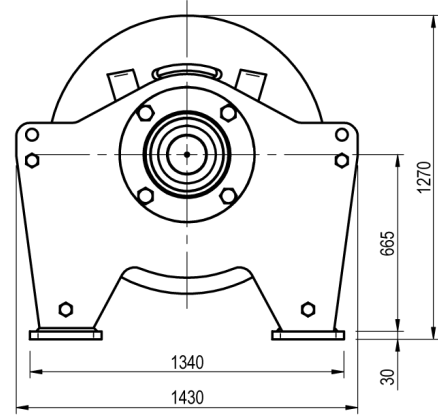
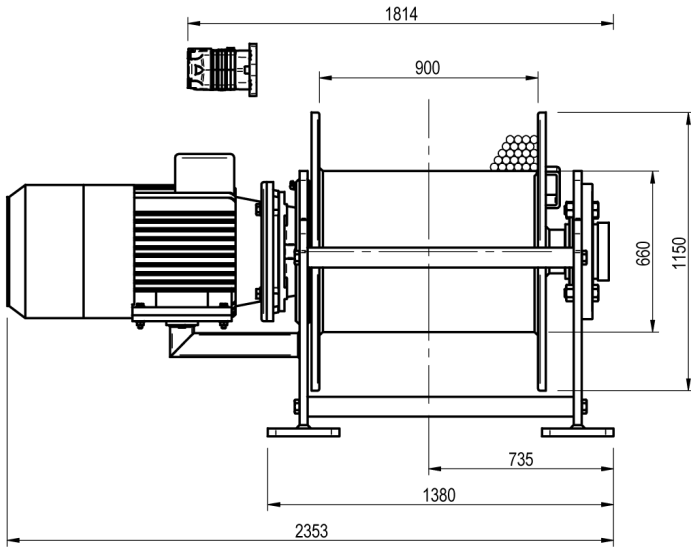
## Winch type SC 175 E

### Products

A range of compact lifting and pulling winches utilising electric or hydraulic motors. The heavy duty planetary gearbox is located within the drum core, which both saves space and protects the gearbox from any external mechanical threats. Capacities can go up to 30 tons of lifting capacity with this range. Depending on your power source and application, we can select and offer the correct model for you.

Manufacturer code	SC 175 E
Medium	Electric
Environment	Renewables
Application	Pulling
Series	SC
Working Load Limit (WLL) [kg]	23215 kg
Number of layers	4
Lifting WLL first layer	23215 kg
Lifting WLL top layer	17500 kg
Speed at first layer	6.5 m/min
Speed top layer	8.5 m/min
Drum capacity top layer	223 m
Rope diameter	38 mm
Motor power S2 duty	30 kW
Motor voltage	400V-AC-3-phase
Mass	2920 kg





FOOTPRINT TOPVIEW A - A

